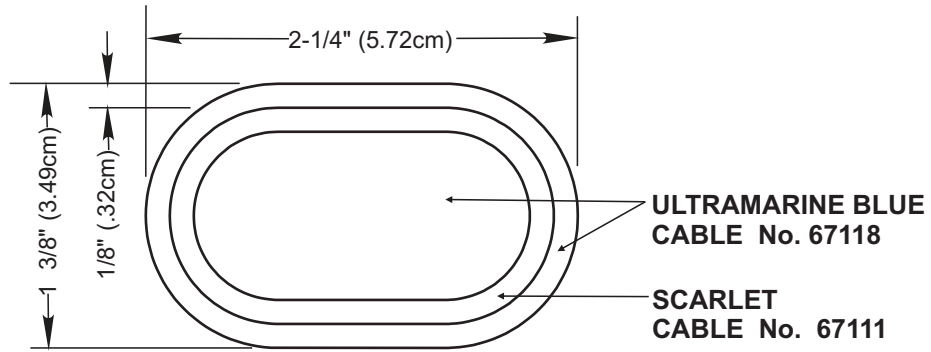


REVISIONS

LTR	DESCRIPTION	DATE	APPROVED
-----	-------------	------	----------



DESIGNED FOR OVEREDGE STITCHING

UNLESS OTHERWISE SPECIFIED DIMENSIONS ARE IN INCHES
TOLERANCES ON FRACTIONS DECIMALS ANGLES

EXAMINED	<i>sw/t</i>	
CHECKED	pm	
PREPARED	EAA	

APPROVED

 FRITZ W. KIRKLIGHTER
 ACTING DIRECTOR

THE INSTITUTE OF HERALDRY, U.S. ARMY
 9325 GUNSTON RD. S-112 FORT BELVOIR, VA 22060-5579

BACKGROUND TRIMMING FOR
SPECIAL TROOPS BN
2D BDE, 101 ABN DIV

SIZE	CONTROL IDENT. NO	
A	22571	A-6-230
SCALE	FULL	DATE
		20 SEPTEMBER 2005

MATERIALS:
 TO BE MANUFACTURED IN ACCORDANCE WITH MIL-DTL-14652